

**COMPOSITE STRAP(CORD STRAP)
&
WIRE BUCKLE**




- 1.HIGH STRENGTH**
- 2.LIGHT WEIGHT**
- 3.SHORT RESISTANCE**
- 4.MORE FLEXIBLE**
- 5.MORE WEAR RESISTANCE**
- 6.MORE SECURITY**





Authorized Dealer:
CLEARWAY SAFETY TRADING
P.O.Box .8684 , Abudhabi , UAE
Phone: 00971 2 6722426
Mobile: 00971 56 9035800
clearwayuae@gmail.com


MODEL	PICTURE	SIZE	UNIT PRICE
COMPOSITE STRAP WHITE			
CSEOA		13 mm (1100 Meters) x 2 Roll	CSEOA
CSEOA		16 mm (850 Meters) x 2 Roll	CSEOA
CSENM		19 mm (600 Meters) x 2 Roll	CSENM
CSEAC		25 mm (500 Meters) x 2 Roll	CSEAC

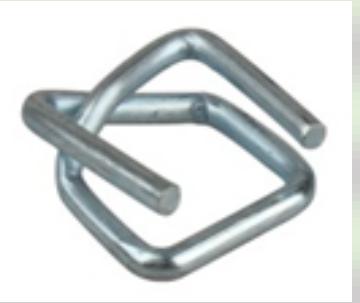
CSEMM		32 mm (250 Meters) x 2 Roll	CSEMM
--------------	---	------------------------------------	--------------


WIRE BUCKLE (COMPOSITE STRAP)

WBAH		13 mm (1000 PCS)	WBAH
-------------	--	-------------------------	-------------


WBXX		16 mm (1000 PCS)	WBXX
-------------	---	-------------------------	-------------


WBNA		19 mm (1000 PCS)	WBNA
-------------	---	-------------------------	-------------

WBMM		25 mm (500 PCS)	WBMM
-------------	---	------------------------	-------------

WBTHM		32 mm (250 PCS)	WBTHM
--------------	---	------------------------	--------------

COMPOSITE STRAP TENSIONER & DISPENSOR

WBTHM		13mm to 19mm	WBTHM
--------------	---	---------------------	--------------

WBTHM		19mm to 25mm	WBTHM
--------------	---	---------------------	--------------

WBTHM



25mm to 32 mm

WBTHM

WBTHM



32 mm to 50mm

WBTHM

WBTHM



Dispenser

WBTHM

1. TAKE STRAPPING INTO BUCKLE



2. TAKE STRAPPING INTO TENSIONER



3. SWING HANDLE UNTIL STRAPPING TIGHTEN



4. PUSH DOWN HANDLE, CUT STRAPPING



5. FINISHED

